

Instruction manual

Please carefully read the instruction manual and installation warnings before installation, and keep it for future reference.

Product specifications	
Type	UV AIR Small
Total power	64W (+/-5%)*
	36W LED / 28W AIR
Input	200-240VAC
Frequency range	50 / 60 Hz
Dimensions	598 x 598 x 120 mm
Weight	6.5 kg
Operating temp.	0°C to 40°C (95% RH)
Storage conditions	-20°C to 65°C (85% RH)

Wiring Diagram	
Power supply	L — brown
	N — blue

Contents
1x UV AIR Small luminaire
4x UV AIR Small ceiling installation frame parts
4x UV AIR Nano filters
4x UV AIR Coarse filters
6x Screws and dowels
12x Frame screws

Installation warnings!

1. To avoid damage, falling, electric shock, or fire, please do not modify the lamp or replace accessories without confirming with the Surya service team first. Please do only authorize qualified personnel to install the lamp and make sure they follow the instruction manual. Any improper installation might cause electric shock, fire, damage, hazard, or injuries.
3. Please disconnect the fixture from any power before installation or any maintenance of the lamp.
4. Please disconnect the luminaire from the power grid immediately if it emits odors or develops smoke, since fire or electric shock may occur. Ask the Surya service team or another authorized person to inspect or maintain the luminaire.
5. Please do not dismantle the lamp without our authorization.
6. Please do not touch the power supply while the lamp is operating, considering that it generates high temperatures.
7. Terminal blocks are not included. The electrical fitting has to be installed by a licensed electrician.
8. The light source contained in this luminaire shall only be replaced by our service team, our service agents, or a similarly qualified and authorized person.
9. If any cable or cord of this luminaire is damaged, it shall only be replaced by the Surya Service Team, an authorized service agent, or similarly authorized and qualified person, to avoid a possible hazard.



Danger! Ultraviolet radiation! Do not look into the UV light during operation. Wear protective gear (UV protection glasses, gloves, protective suit). Avoid every direct eye and skin contact. Keep out of reach of children.



Please use extreme caution. Danger of electric shock!

Installation guide

Step 1 Check contents

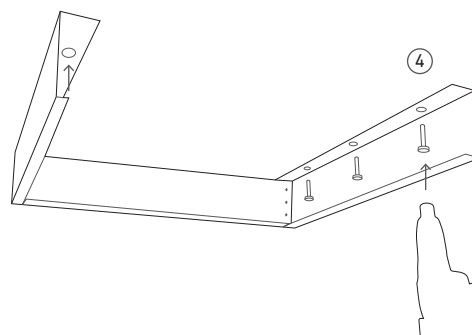
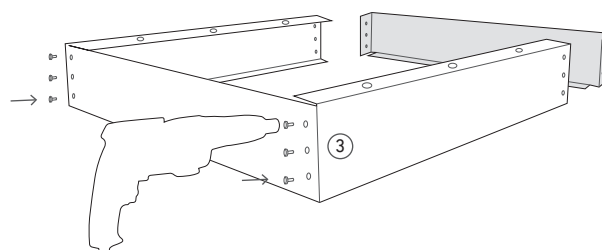
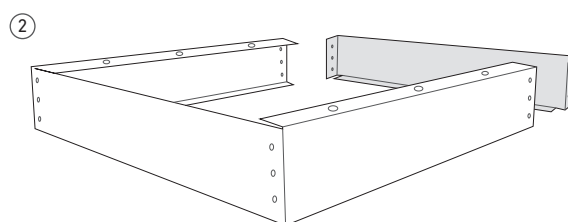
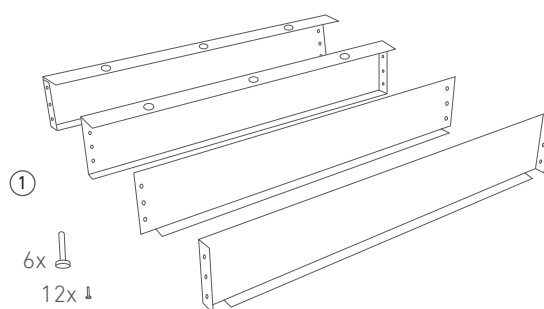
Upon product arrival and before installation please make sure that you received all required contents, and that the received package or contents have no damage. Otherwise please contact your service agent or the Surya service team immediately.

Step 2 Prepare installation

Before installation, please make sure that the electricity is turned off inside your switch cabinet, and the luminaire is not attached to the power grid.

Step 3 Frame installation

1. Prepare frame, screws, and accessories (screwdriver, measuring tape)
2. Arrange frame parts according to illustration and align the screw holes.
3. Fix screws with the screwdriver and make sure to leave the marked side of the frame open, so you will be able to slide in the fixture in further steps.
4. After the frame is fixed, mount it onto the ceiling at the desired position with the provided screws.



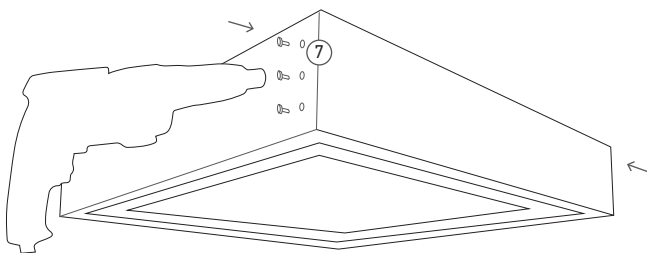
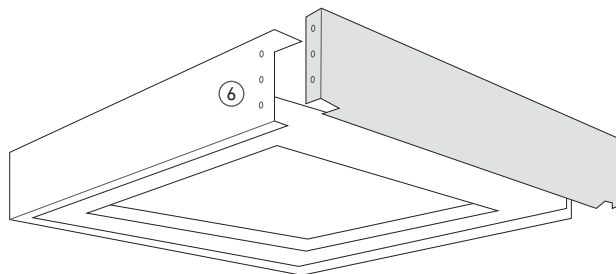
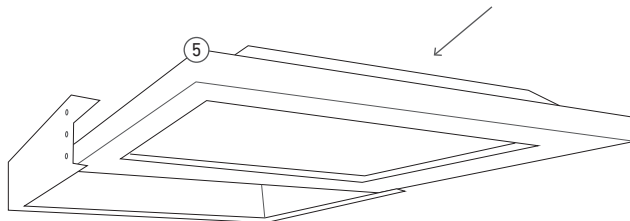
Installation guide

Step 3 Frame installation

5. After the frame is mounted onto the ceiling, gently slide in the luminaire, as shown in the illustration.

6. Make sure the luminaire is pushed into the frame completely. Then close the frame and align the remaining screw holes.

7. You can now mount the remaining frame part onto the frame with the provided screws.



Step 4 Connect to power

Note: The UV AIR luminaire has to be installed by a certified electrician. Please do not only authorize qualified personnel to install the lamp and make sure they follow the instruction manual.

1. Make sure again that all electricity is still completely turned off inside your switch cabinet before proceeding with this step.

2. Then use the open-ended power supply cable to connect the luminaire to a standard light switch and into the power grid. (See wiring diagram)

3. Final Step! After successful wiring and cable insulation, you can turn on the electricity inside your switch cabinet again. The luminaire is now fully operatable.

